

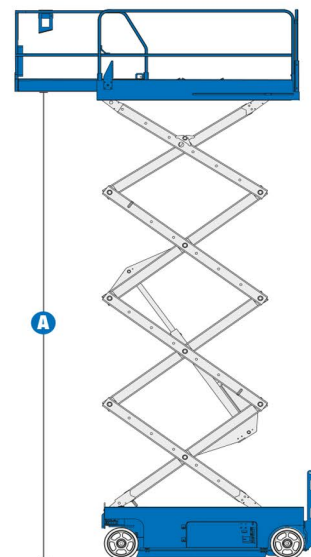
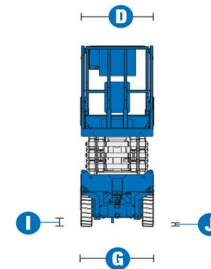
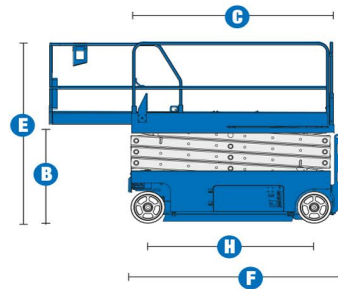


# SELF-PROPELLED SCISSOR LIFTS GS™-2032



## Specifications

| MODELS                                  |                    | GS™-2032           |  |
|---|--------------------|--------------------|--|
| MEASUREMENTS                            | Metric             | US                 |  |
| Working height maximum*                 | 8.10 m             | 26 ft              |  |
| <b>A</b> Platform height maximum        | 6.10 m             | 20 ft              |  |
| <b>B</b> Platform height stowed         | 1.03 m             | 3 ft 4.5 in        |  |
| <b>C</b> Platform length - outside      |                    | 7 ft 5 in          |  |
|   | extended           | 10 ft 5 in         |  |
| Slide-out platform extension deck       | 91 cm              | 3 ft               |  |
| <b>D</b> Platform width - outside       | 81 cm              | 2 ft 8 in          |  |
| Guardrail height: Rigid Rail            |                    | 3 ft 3 in          |  |
|   | Fold Down Rail     | 3 ft 7 in          |  |
| Toeboard height                         | 15 cm              | 6 in               |  |
| <b>E</b> Height - stowed                | fixed rails        | 2.13 m 7 ft        |  |
|   | folding guardrails | 2.13 m 7 ft        |  |
|   | rails folded       | 1.75 m 5 ft 9 in   |  |
| <b>F</b> Length - stowed                |                    | 2.44 m 8 ft        |  |
|   | Length - extended  | 3.33 m 10 ft 11 in |  |
| <b>G</b> Width                          | 81 cm              | 2 ft 8 in          |  |
| <b>H</b> Wheelbase                      | 1.85 m             | 6 ft 1 in          |  |
| <b>I</b> Ground clearance - centre      | 9 cm               | 3.5 in             |  |
| <b>J</b> - with pothole guards deployed | 2 cm               | .75 in             |  |



| PRODUCTIVITY                            |                  |                |
|---|------------------|----------------|
| Max platform occupancy (indoor/outdoor) | 2/1              | 2/1            |
| Lift capacity                           | 363 kg           | 800 lbs        |
| Drive height                            | full height      |                |
| Drive speed - stowed                    | 3.5 km/h         | 2.2 mph        |
| Drive speed - raised                    | 0.8 km/h         | 0.5 mph        |
| Gradeability - stowed**                 | 30%              |                |
| Max outrigger levelling: front to back  | -                | -              |
|   | side to side     | -              |
| Turning radius - inside                 | zero             | zero           |
| Turning radius - outside                | 2.13 m           | 7 ft           |
| Raise / lower speed                     | 30 / 34 sec      | 30 / 34 sec    |
| Controls                                | proportional     |                |
| Drive                                   | dual front wheel |                |
| Multiple disc brakes                    | dual rear wheel  |                |
| Tyres - solid non-marking               | 38 x 13 x 28 cm  | 15 x 5 x 11 in |

| POWER                     |                                    |          |
|---------------------------|------------------------------------|----------|
| Power source              | 24 V DC (four 6V 225 Ah batteries) |          |
| Hydraulic system capacity | 14.2 L                             | 3.75 gal |

| WEIGHT*** |          |           |
|-----------|----------|-----------|
|           | 1,825 kg | 4,024 lbs |

| STANDARDS COMPLIANCE | CE EN280 |
|----------------------|----------|
|----------------------|----------|

\* The metric equivalent of working height adds 2 m to platform height. U.S. adds 6 ft to platform height.  
 \*\* Gradeability applies to driving on slopes. See operator's manual for details regarding slope ratings.  
 \*\*\* Weight will vary depending on options and/or country standards.